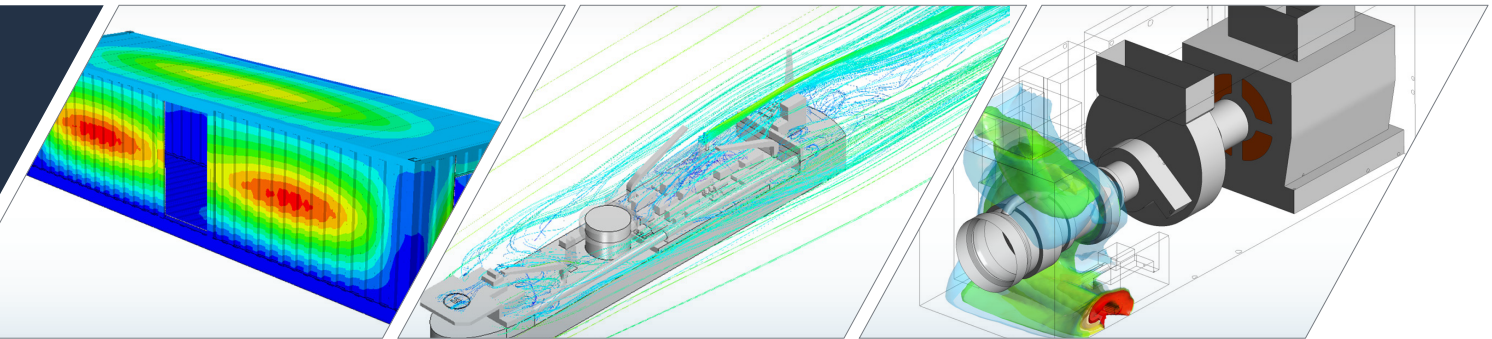


## Technical Safety



### Results-driven technical safety

In the past, safety data was only available in the aftermath of unwanted events. The resulting lessons learned assisted in the development of safety guidelines, ensuring a reduction in the probability of an event happening again. This approach yields limited and incomplete data. Now with the development of modern numerical modeling techniques, data can be generated computationally, greatly improving an understanding of contributing factors and routes of mitigation.

### Experience that works

The Wild Well Advanced Engineering group has, at its disposal, a suite of analysis tools allowing unwanted events to be simulated in a controlled environment. With a successful history of delivering accurate analysis, Advanced Engineering allows clients to gather data and manage risk more efficiently in their day-to-day operations. We offer:

#### Gas safety

- Ventilation requirements
- Detector placements
- Toxic gas dispersion
- Helicopter operations

#### Independent assessment

- Standards conformance
- Incident investigation
- Procedure development

#### Consequence analysis

- Fire and blast
- Dropped objects
- Leak and release modeling